

8 7 6 5 4 3 2 1

F F

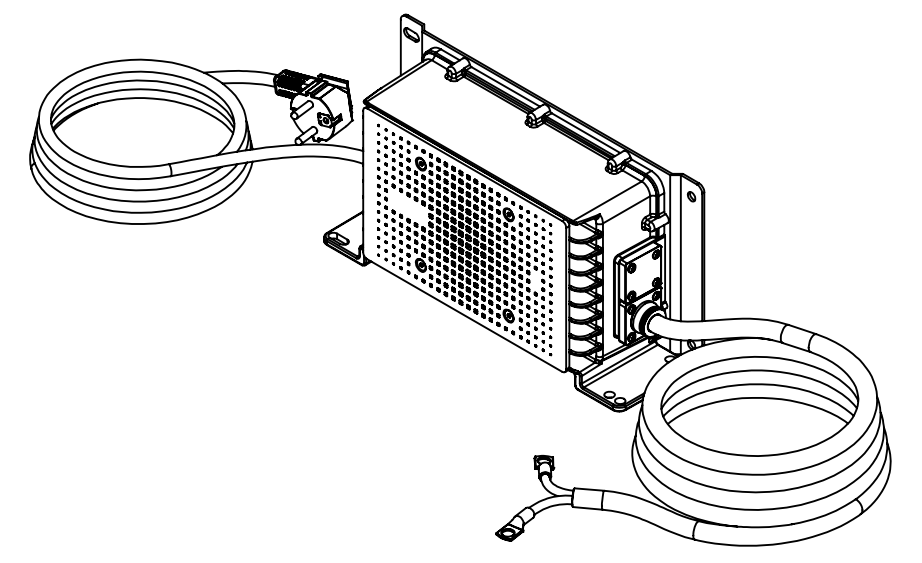
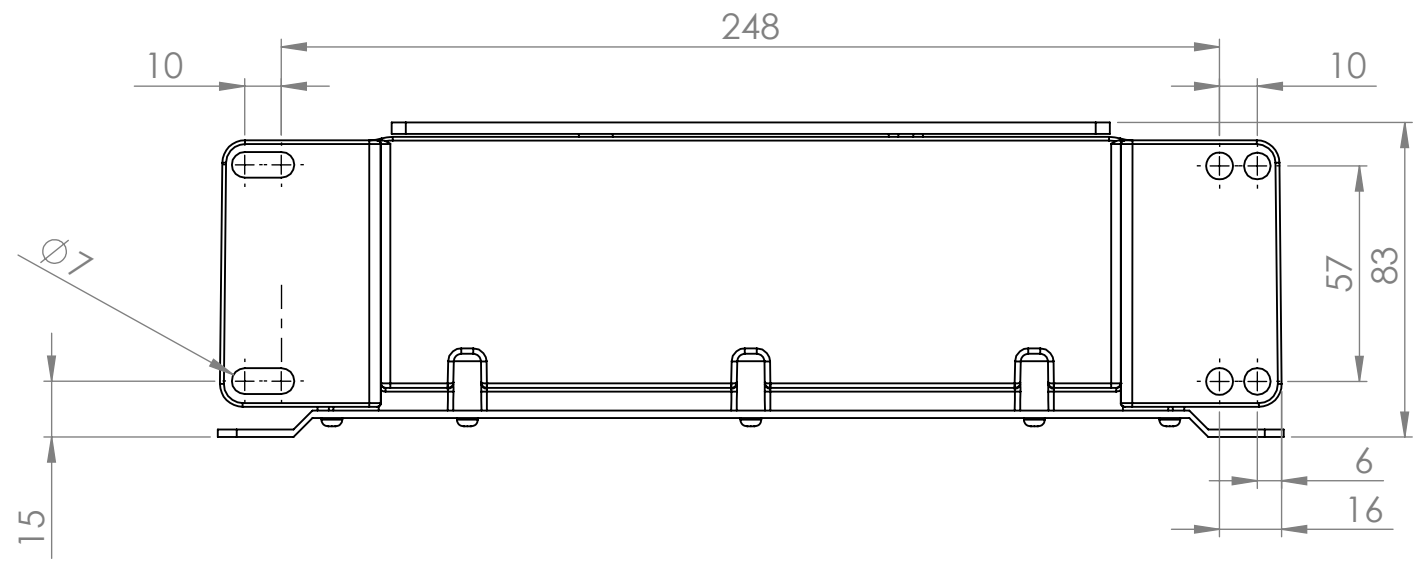
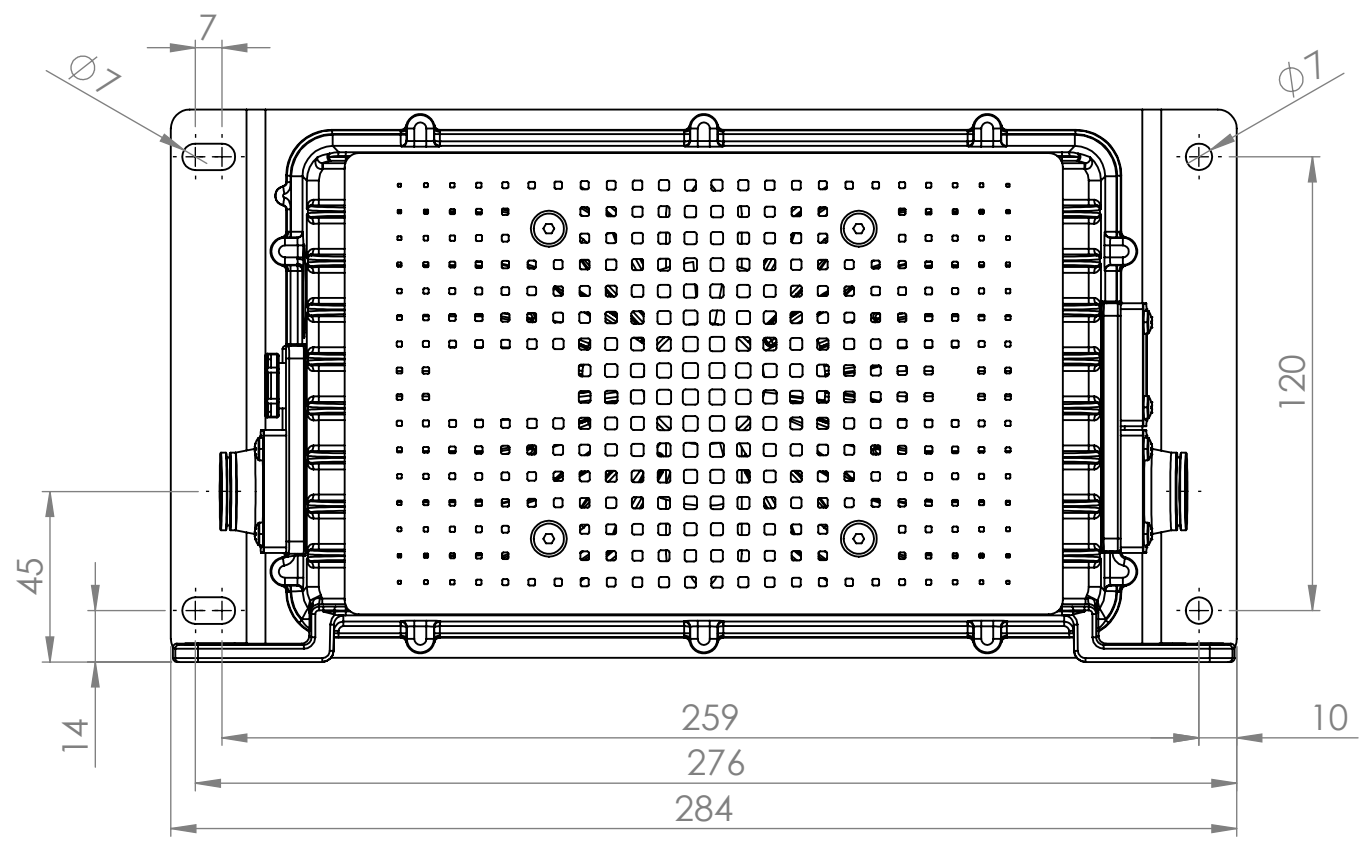
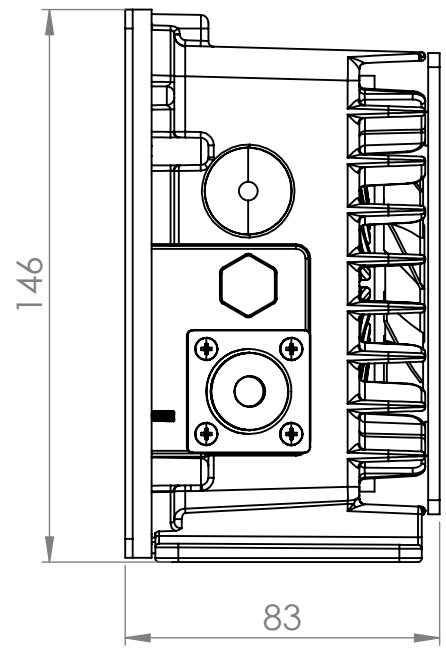
E E

D D

C C

B B

A A



**Notes:**

- All dimensions are subject to tolerances

|   |                 |           |            |                     |
|---|-----------------|-----------|------------|---------------------|
| Description:<br>Dimensional drawing Charger 24V - 30A |                 |           |            |                     |
| Client<br>Ionbase                                     | Project number: |           |            |                     |
| Drawn:<br>Max   | Drawing number  |           |            | Date:<br>11/06/2024 |
| Status:   | SHEET 1 OF 1    | Units: mm | Scale: 1:2 | A3                  |
|   |                 |           |            | Version:<br>A       |

| Technical specifications   |                  |
|----------------------------|------------------|
| Cable length DC side       | 3m               |
| Lug size DC side           | M8               |
| Cable diameter DC side     | 6mm <sup>2</sup> |
| Cable length AC side       | 1.3m             |
| Plug type AC side          | Schuko           |
| Ingress protection         | IP65             |
| Charger enclosure material | Aluminium        |

| REV.     | DESCRIPTION      | DATE       | Name | APPROVED |
|----------|------------------|------------|------|----------|
| A        | Original version | 11/06/2024 | Max  | GLA      |
| REVISION |                  |            |      |          |



8 7 6 5 4 3 2 1