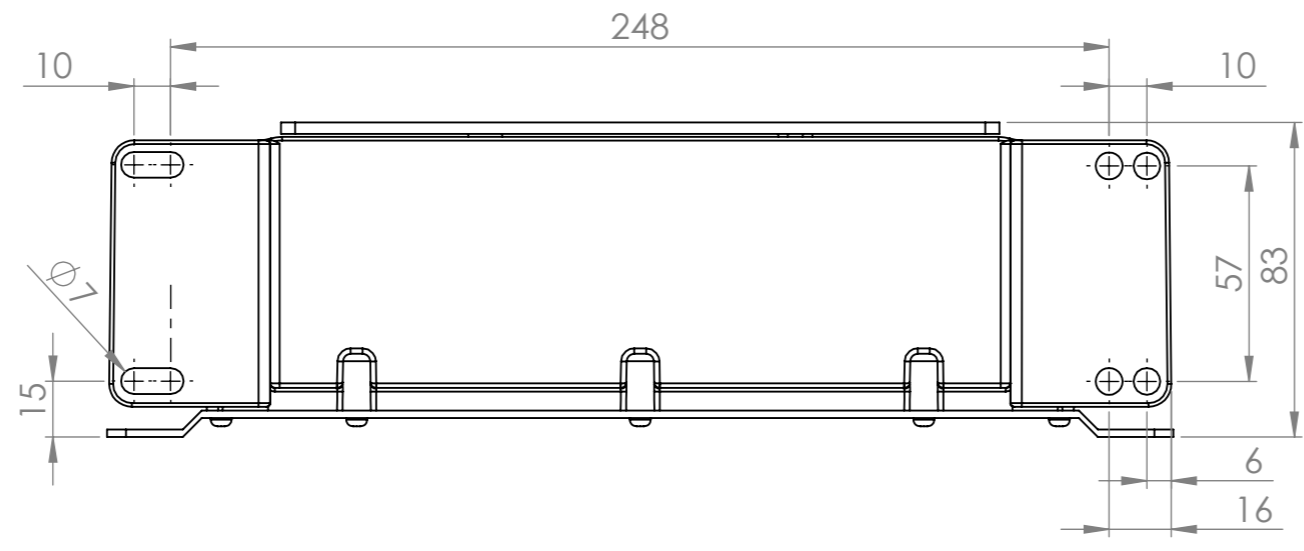
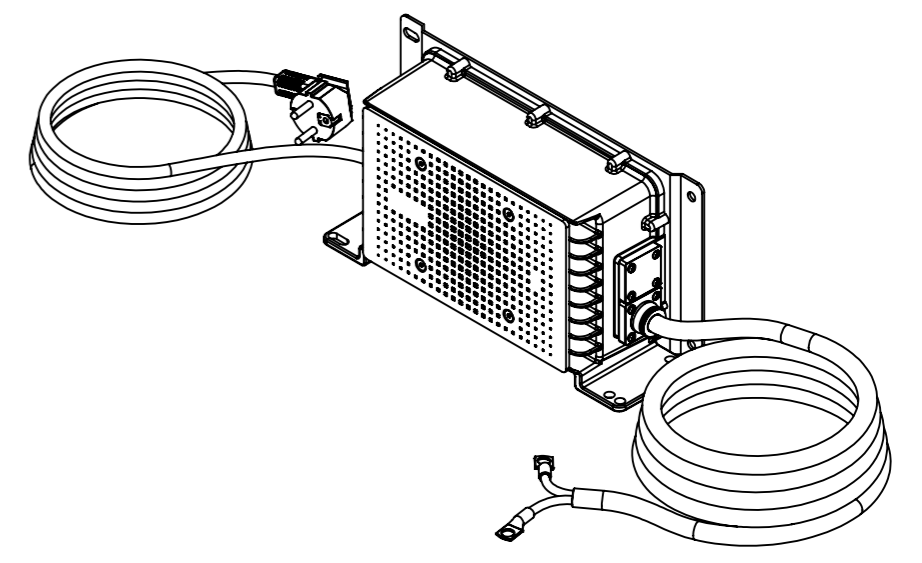
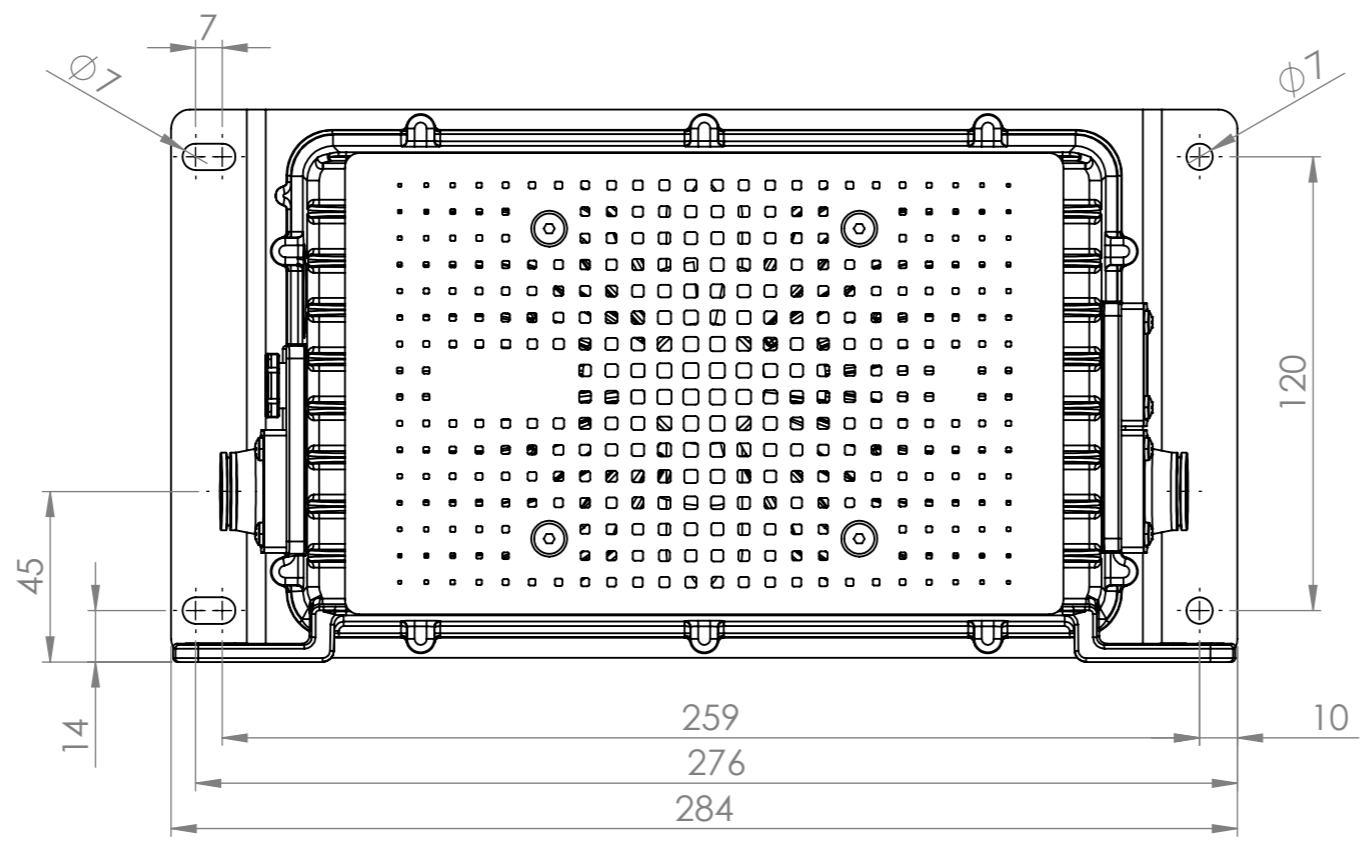
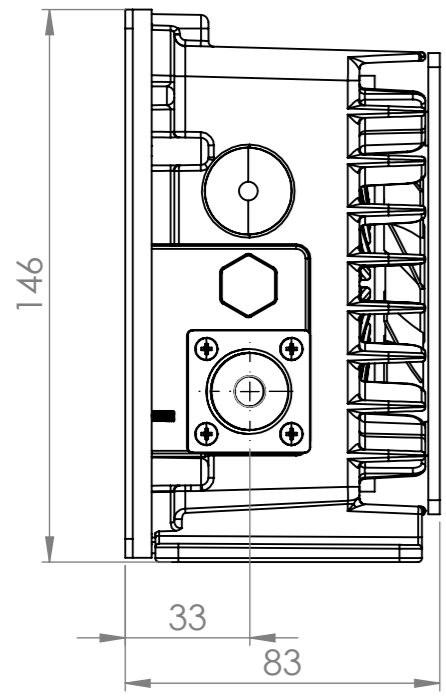


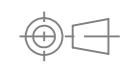
8 7 6 5 4 3 2 1

F E D C B A



Notes:
 • All dimensions are subject to tolerances

Technical specifications	
Cable length DC side	3m
Lug size DC side	M8
Cable diameter DC side	6mm ²
Cable length AC side	1.3m
Plug type AC side	Schuko
Ingress protection	IP65
Charger enclosure material	Aluminium

Description: Dimensional drawing Charger 12V - 30A				
Client Ionbase	Project number:			
Drawn: Max	Drawing number			
Status:	SHEET 1 OF 1	Units: mm	Scale: 1:2	Date: 10/06/2024
IONBASE				Version: A

REV.	DESCRIPTION	DATE	Name	APPROVED
A	Original version	07/06/2024	Max	GLA
REVISION				

8 7 6 5 4 3 2 1